

# Caloric

## ***Electric Range Owner's Manual***

***Model CSR 6203  
Coiltop Range  
with Self-Cleaning Oven***

**Please Read Manual Before  
Operating Range**

- **Safety**
- **Installation**
- **Use**

**Important**

Save for local electrical inspector's use.

**Installer**

Leave this manual and other literature with consumer for future use.

**Customer**

Keep these instructions for future reference. If appliance changes ownership, be sure this manual accompanies range.

# Contents

---

Important Safety Information .....	3
Installation .....	6
User Maintenance .....	11
Operating Surface Elements .....	12
Utensil Recommendations .....	13
Display and Features .....	14
Service Tones .....	14
Setting Clock and Timer .....	15
Adjusting Factory Set Baking Temperature .....	15
Baking and Broiling .....	16
Self-Clean .....	18
Cooking Guide .....	19
Cleaning .....	21
Before Calling for Service .....	22
Warranty .....	24

## Parts and Accessories

Purchase replacement parts and additional accessories (e.g., cooktop accessories, grates, cleaning products) over the phone. To order accessories for your Caloric Sales Co. L.P. product, call 1-800-843-0304 inside U.S.A. or 319-622-5511 outside U.S.A.

## Service

Keep a copy of sales receipt for future reference or in case warranty service is required. Any questions or to locate an authorized servicer, call 1-800-NAT-LSVC (1-800-628-5782) inside U.S.A. 319-622-5511 outside U.S.A. Warranty service must be performed by an authorized servicer. Caloric also recommends contacting an authorized servicer if service is required after warranty expires.

## What You Need to Know about Safety Instructions

Warning and Important Safety Instructions appearing in this manual are not meant to cover all possible conditions and situations that may occur. Common sense, caution, and care must be exercised when installing, maintaining, or operating range.

Always contact your dealer, distributor, service agent, or manufacturer about problems or conditions you do not understand.

## Model Identification

Complete enclosed registration card and promptly return. If registration card is missing, call Consumer Affairs Department at 1-800-843-0304 inside U.S.A. 319-622-5511 outside U.S.A. When contacting Caloric Sales Co. L.P., provide product information located on rating plate. Rating plate is located on the oven frame. Record the following:

Model Number: \_\_\_\_\_  
Manufacturing Number: \_\_\_\_\_  
Serial or S/N Number: \_\_\_\_\_  
Date of purchase: \_\_\_\_\_  
Dealer's name and address: \_\_\_\_\_  
\_\_\_\_\_  
\_\_\_\_\_

## Asure™ Extended Service Plan

Caloric Sales Co. L.P. offers long-term service protection for this new range. Asure™ Extended Service Plan is specially designed to supplement Caloric Sales' strong warranty. This plan covers parts, labor, and travel charges. Call 1-800-528-2682 for information.

## Recognize Safety Symbols, Words, Labels



**DANGER**

**DANGER**—Immediate hazards which **WILL** result in severe personal injury or death.



**WARNING**

**WARNING**—Hazards or unsafe practices which **COULD** result in severe personal injury or death.



**CAUTION**

**CAUTION**—Hazards or unsafe practices which **COULD** result in minor personal injury or product or property damage.

# IMPORTANT SAFETY INFORMATION

## **WARNING**

To avoid risk of the appliance tipping, it must be secured by a properly installed anti-tip bracket(s). To make sure bracket has been installed properly, remove the storage drawer or panel and look under the range with a flashlight. Bracket(s) must be engaged in the rear corner of the range.



- ALL RANGES CAN TIP
- INJURY TO PERSONS COULD RESULT
- INSTALL ANTI-TIP BRACKET(S) PACKED WITH RANGE
- SEE INSTALLATION INSTRUCTIONS



## **CAUTION**

DO NOT TOUCH SURFACE UNITS OR AREAS NEAR UNITS—Surface units may be hot though they are dark in color. Areas near surface units may become hot enough to cause burns. During and after use, do not touch, or let clothing touch or other flammable materials contact surface units or areas near surface units until they have had enough time to cool. These areas include the rangetop and backguard.

## **CAUTION**

DO NOT TOUCH HEATING ELEMENTS OR INTERIOR SURFACES OF OVEN—Oven heating elements may be hot though they are dark in color. Interior surfaces of an oven may become hot enough to cause burns. During and after use, do not touch, or let clothing or other flammable materials touch heating elements or interior surfaces of oven until they have had enough time to cool. Other range surfaces that may become hot enough to cause burns are the oven door and oven vent.

## **WARNING**

To avoid personal injury, do not sit, stand or lean on oven door or oven drawer.

## **WARNING**

To avoid risk of electrical shock, personal injury, or death, make sure your range has been properly grounded and always disconnect it from main power supply before servicing.

### **California Safe Drinking Water and Toxic Enforcement Act (Proposition 65)**

The Governor of California is required to publish a list of substances known to the state of California to cause cancer or reproductive harm and requires businesses to warn customers of potential exposures to such substances.

Some appliances contain or produce a chemical or chemicals which can cause death or serious illness and which are known to the State of California to cause cancer, birth defects, or other reproductive harm. To reduce the risk from substances that may be released during the self-cleaning cycle, make sure this appliance is installed, operated, and maintained according to the manufacturer's instructions.

# SAVE THESE INSTRUCTIONS

# IMPORTANT SAFETY INFORMATION

## ALL APPLIANCES

1. Proper Installation—Be sure your appliance is properly installed and grounded by a qualified technician.
2. Never Use Your Appliance for Warming or Heating the Room.
3. Do Not Leave Children Alone—Children should not be alone or unattended in the area where the appliance is in use. They should never be allowed to sit or stand on any part of the appliance.
4. Wear Proper Apparel—Loose-fitting or hanging garments should never be worn while using the appliance.
5. User Servicing—Do not repair or replace any part of the appliance unless specifically recommended in the manual. All other servicing should be referred to a qualified technician.
6. Storage In or On Appliance—Flammable materials should not be stored in an oven or near surface units.
7. Do Not Use Water on Grease Fires—Smother fire or flame, or use dry chemical or foam-type extinguisher.
8. Use Only Dry Potholders—Moist or damp potholders on hot surfaces may result in burns from steam. Do not let potholder touch elements. Do not use a towel or other bulky cloth.

## SURFACE COOKING UNITS

1. Use Proper Pan Size—This appliance is equipped with one or more surface units of different size. Select utensils having flat bottoms large enough to cover the surface unit heating element. The use of undersized utensils will expose a portion of the heating area to direct contact and may result in ignition of clothing. Use of oversized utensils concentrates heat on cooking surface and can cause damage to range. Proper relationship of utensil to surface element improves efficiency.
2. Never Leave Surface Units Unattended—Boilover causes smoking and greasy spillovers that may ignite.
3. Make Sure Reflector Pans or Drip Bowls Are in Place—Absence of these pans or bowls during cooking may subject wiring or components underneath to damage.
4. Protective Liners—Do not use aluminum foil to line surface unit drip bowls or oven bottom. Improper installation of these liners may result in a risk of electrical shock, or fire.
5. Glazed Cooking Utensils—Only certain types of glass, ceramic, earthenware, or other glazed utensils are suitable for rangetop service without breaking due to sudden change in temperature.
6. Utensil Handles Should Be Turned Inward and Not Extend Over Adjacent Surface Units—To reduce the risk of burns, ignition of flammable materials, and spillage due to unintentional contact with the utensil, the handle of a utensil should be positioned so that it is turned inward, and does not extend over adjacent surface units.
7. Do Not Soak Removable Heating Elements—Heating elements should never be immersed in water.

**SAVE THESE INSTRUCTIONS**

# IMPORTANT SAFETY INFORMATION

## OVENS

1. Use Care When Opening Door—Let hot air or steam escape before removing or replacing food.
2. Do Not Heat Unopened Food Containers—Build-up of pressure may cause container to burst and result in injury.
3. Keep Oven Vent Ducts Unobstructed.
4. Placement of Oven Racks—Always place oven racks in desired location while oven is cool. If rack is removed while oven is hot, do not let potholder contact hot heating element in oven.

## SELF-CLEANING OVENS

1. Do Not Clean Door Gasket—The door gasket is essential for a good seal. Care should be taken not to rub, damage, or move the gasket.
2. Do Not Use Oven Cleaners—No commercial oven cleaner or oven liner protective coating of any kind should be used in or around any part of the liner.
3. Clean Only Parts Listed in Manual.
4. Before Self-Cleaning the Oven—Remove broiler pan, oven racks, and other utensils.
5. Remove All Items from Rangetop and Backguard.

## VENTILATION HOODS

1. Clean Ventilating Hoods Frequently—Grease should not be allowed to accumulate on hood or filter.
2. When flaming foods under the hood, turn the fan on.

## In Case of Fire

Fires can occur as a result of over cooking or excessive grease. Though a fire is unlikely, if one occurs, proceed as follows:

### Surface Element Fire

1. Smother the fire with a nonflammable lid or baking soda, or use a Class ABC or BC extinguisher. Not water. Not salt. Not flour.
2. As soon as it is safe to do so, turn the surface controls to *OFF*. Turn off power at main circuit breaker or fuse box.

### Oven Fires

1. If you see smoke from your oven, do not open oven.
2. Turn oven control to *OFF*.
3. As an added precaution, turn off power at main circuit breaker or fuse box.
4. Turn on vent to remove smoke.
5. Allow food or grease to burn itself out in oven.
6. If smoke and fire persist, call fire department.
7. If there is any damage to components, call an authorized servicer before using range.

## Precautions

- Do not cook food directly on rangetop surface, always use cookware.
- Do not mix household cleaning products. Chemical mixtures may interact with objectionable or even hazardous results.
- Oven door contains a glass window. While this glass is built to be sturdy and resistant, it is glass and should be treated with care.
- Do not lift or move range by grasping oven door. This can result in glass window breaking or shattering.
- Do not put plastic items on warm cooking areas. They may melt and stick.
- Do not slide rough metal objects across rangetop surface. Scratching or metal marking can result.
- Do not leave fat heating unless you remain nearby. Fat can ignite if overheated by spilling onto hot surfaces.
- Do not allow pots to boil dry as this can cause damage to cooking surface and pan.
- Do not use rangetop surface as a cutting board.
- Do not use range for storage or as a display counter.

# SAVE THESE INSTRUCTIONS

# Installation

## Packing Material

Remove protective packing materials from range. Tape residue can be cleaned with a soft cloth and alcohol.

## Range Location

Underwriter's Laboratories, Inc. specifies range can be installed flush against right and left base cabinets, and rear vertical wall. Range can also be installed flush against left or right vertical wall extending above 36 inch standard countertop height.

## Cabinet Opening



### WARNING

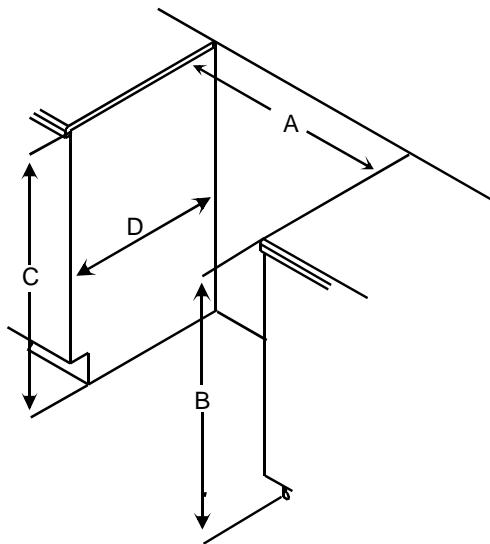
To avoid risk of burns or fire by reaching over elements, cabinet storage space located above range should be avoided. If cabinet storage is provided, install a range hood that projects horizontally a minimum of 5 inches beyond the cabinet bottom to reduce the risk.



### CAUTION

Do not store items of interest to children in cabinets above a range or behind the backguard of a range. Children climbing on the range to reach items could be seriously injured.

Range should extend approximately 2 inches from cabinet front to oven door handle. Using dimensions, prepare cabinet opening.

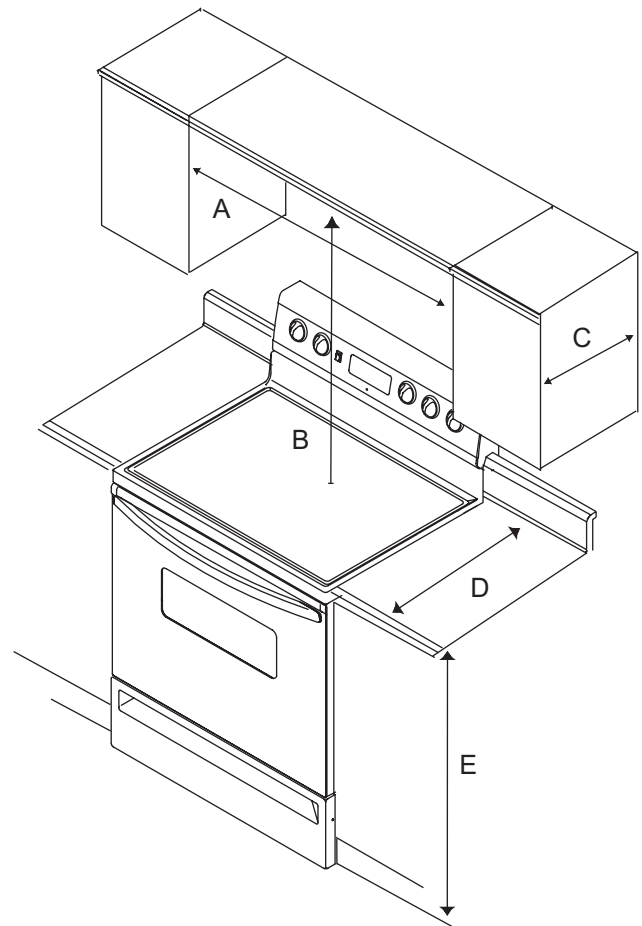


- A—30<sup>1</sup>/<sub>8</sub> to 30<sup>3</sup>/<sub>4</sub> inches
- B—36 inches standard
- C—35 inches standard
- D—23 inches standard

## Minimum Clearances to Combustible Surfaces

Using dimensions, prepare cabinet opening.

- Minimum clearance to rear wall is 0 inches.
- Minimum clearance to a vertical right or left side wall is 0 inches.
- Minimum clearance to countertop/cabinet on each side is 0 inches.
- Minimum of 30 inches between top of cooking surface and bottom of an unprotected wood or metal cabinet.
- Minimum of 24 inches between cooking surface and protected wood or metal cabinet above range. Cabinet bottom must be protected by at least 1/4 inch thick millboard with not less than No. 28 MSG sheet steel, .015 inch thick stainless steel, .024 inch thick aluminum, or .020 inch thick copper.



- A—30 inches minimum
- B—30 inches unprotected / 24 inches protected minimum
- C—13 inches maximum
- D—25 inches maximum
- E—36 inches maximum

Minimum Clearances to Combustible Surfaces

## Irregular Cabinet and Countertop Heights

Countertops such as ceramic tile tops cause cabinet and countertop to be higher than 36 inches. Follow instructions below when countertop is higher than 36 inches.

1. Raise leveling legs to maximum height.
2. Measure from floor to rangetop. If measurement is less than height of countertop, floor must be shimmed.
3. Shim floor using a piece of plywood same size as range opening. Secure plywood to floor. Plywood must be as secure as original flooring.
4. Install anti-tip bracket and slide range into place.

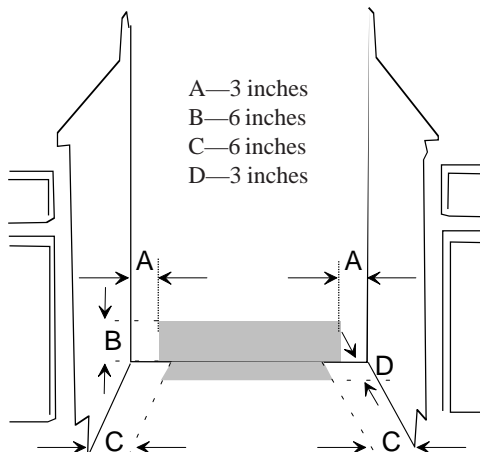
## Line Voltage Requirements

Line voltage must not exceed rated voltage. See rating plate attached to range for kilowatt rating. Line voltage less than rated voltage will result in slow heating. Wiring system must conform to Underwriters Laboratories, Inc. standards and National Electrical Code. Installation must conform to all local, municipal and state building codes, and local utility regulations. Range must be connected only to a supply circuit as specified on rating plate wiring diagram of range.

This range requires 3 wires, 120/240 VAC, 40 Amp minimum, 60 Hertz, single phase electrical supply (refer to rating label). Wiring system and grounding must conform with the latest edition of Underwriters Laboratories, Inc. Standards, the National Electric Code, ANSI/NFPA 70, or the Canadian Electrical Code, CAS C22.1. Installation must conform to all local, municipal and state building codes, and local utility regulations. Connect range to power supply with **MAXIMUM RATED VOLTAGE** listed on the ratingplate. Line voltage must not exceed rated voltage.

## Power Supply Location

Shaded area shows range clearance for electrical connection.



Power Supply Location

## Power Cord Requirements

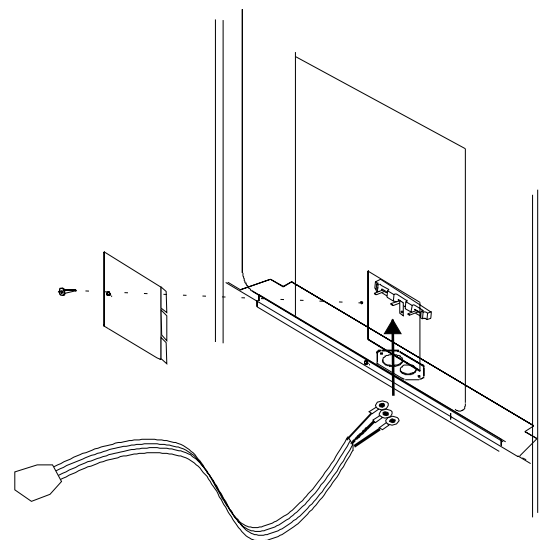
Power cord is not supplied with range. Power cord must be U.L. Listed and meet NEC and Mobile Home Manufacturers Association Standards. Cord must be rated at a minimum 250V 40 AMP, equipped with a plug configuration in accordance with NEMA. Conductors must end with closed loop (ring) terminals at the range.

- Three-conductor cord plug NEMA 10-50P allowed for residential.
- Four-conductor cord plug NEMA 14-50P required for most mobile home installations but can be used for residential.

**NOTE:** Only a power cord suitable for use with ranges may be used. For installation in a mobile home, or area where local codes do not permit grounding through the neutral terminal, a 4-wire cord must be used.

## Range Terminal Block

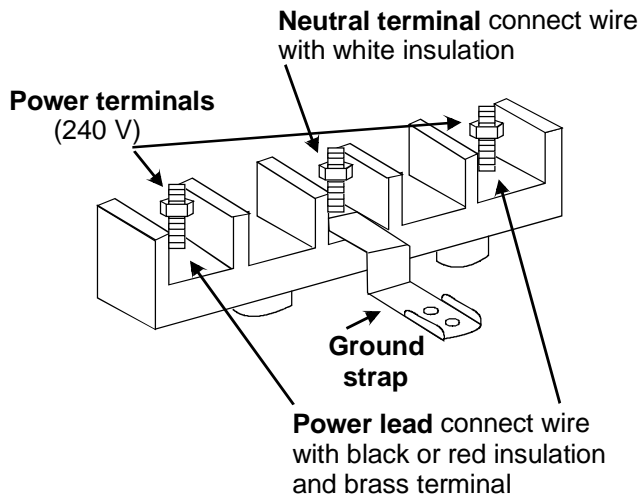
Connection block is located at bottom rear of range behind rear cover panel. Remove rear cover screw. Directly below terminal block is a hole for a power supply cord. Power cord is not supplied with range.



Installing Power Cord

## Installation (cont.)

Range has been grounded at the factory to the center (nickel plated) terminal of the terminal block in accordance with the National Electrical Code (section 2560). When a separate ground is required by local code, disconnect the grounding strap from the terminal block. Ground frame by connecting a grounding wire to range frame using **only** the grounding screw removed from the grounding strap.



Range Terminal Block

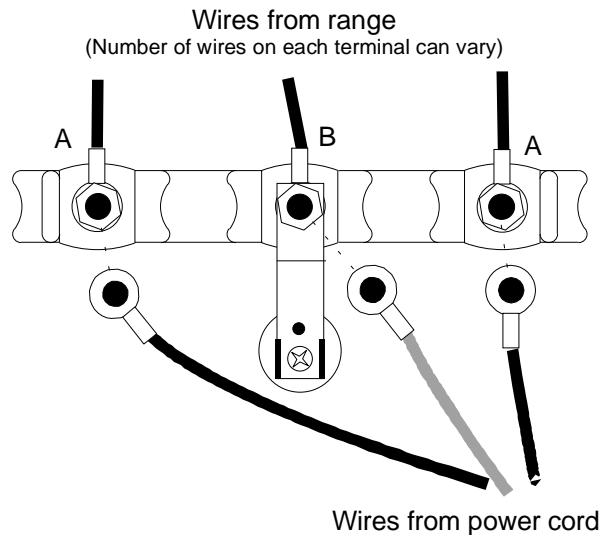
**Terminal block is approved for copper wire connection only, NOT aluminum wiring.** If aluminum house wiring is to be connected, the following procedure is suggested.

1. Connect length of copper building wire to range terminal block with ring terminals.
2. Splice copper wires to aluminum wiring using connectors which are design certified by Underwriter's Laboratories and recognized for joining copper to aluminum. Follow the connector manufacturer's recommended procedure.
3. Wire used, location and enclosure of splices must conform to local codes.

## Installing 3-Wire Power Cord

Refer to power cord instructions if available for additional information.

1. Remove wire cover on rear of range.
2. Place strain relief (winged clamp) in cord access hole below terminal block.
  - Strain relief is supplied with cord. Place wings through hole, entering from bottom. Screw holes in clamp should be below mounting panel. Place cord through strain relief.
3. Attach neutral (center) or white wire to center terminal on terminal block.
4. Attach power lead, red wire or black wire, to left side power terminal.
5. Attach power lead, red wire or black wire, to the right side power terminal.
6. After wires have been placed on terminals, attach with hex nuts provided.
  - Firmly tighten to ensure proper electrical connection.
7. Place screw through strain relief and tighten.
8. Replace rear wire cover.



- A— Power lead terminal (Connect black or red insulated wire and secure with brass nut.)
- B— Neutral terminal (Connect insulated white insulated wire and secure with brass nut.)

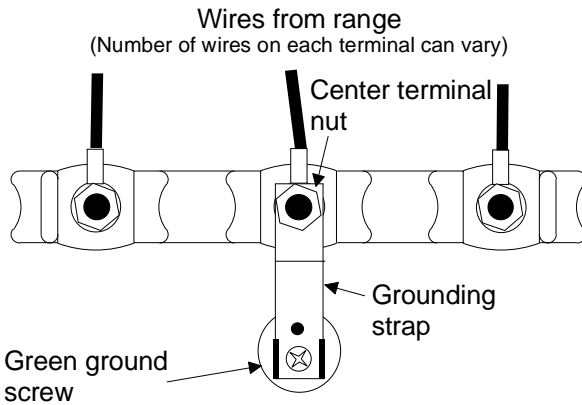
3-Wire Power Cord

## Installing 4-Wire Power Cord

### **WARNING**

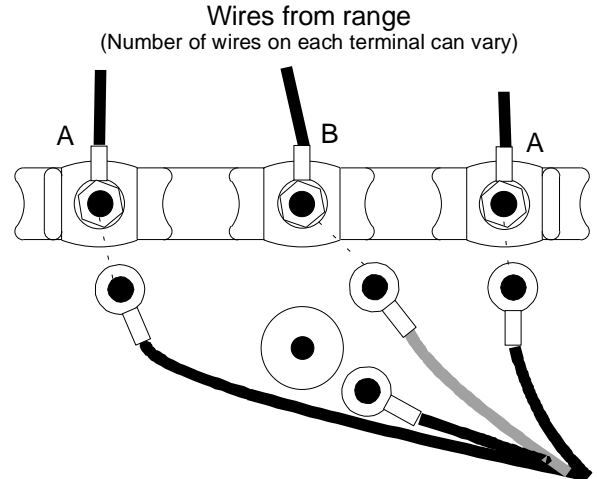
To avoid the risk of severe electrical shock or death, ground wire must be attached to frame of range, using ground screw provided. Ground wire must not contact any other terminal.

1. Remove rear wire cover on back of range.
2. Place strain relief (winged clamp) in cord access hole below terminal block.
  - Strain relief is supplied with cord. Place wings through hole entering from bottom.
  - Screw holes in clamp should be below mounting panel.
3. Remove green ground screw (retain for use in step 8) and unscrew brass nut on center terminal. Remove grounding strap.



Terminal Block Grounding Strap, Screw and Center Nut

4. Place cord through strain relief.
5. Attach cord neutral (center) or white wire to center terminal on terminal block. Secure with hex nuts provided.
6. Attach power lead, red wire or black wire to left terminal. Secure with hex nuts provided.
7. Attach power lead, red wire or black wire to right terminal. Secure with hex nuts provided.



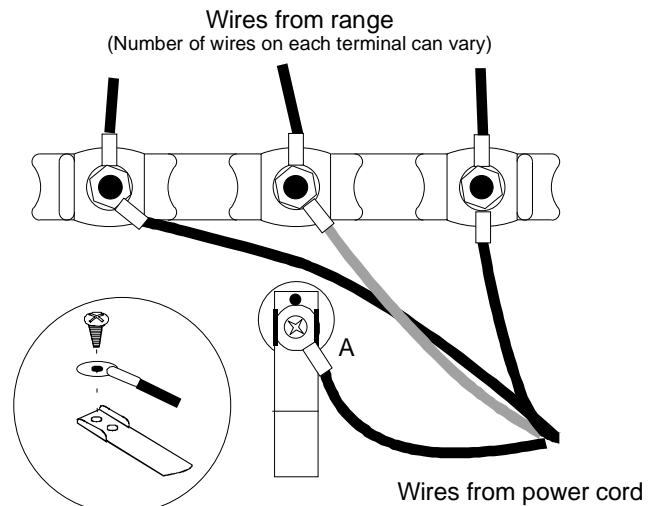
Wires from power cord

A— Power lead terminal (Connect black or red insulated wire and secure with brass nut.)

B— Neutral terminal (Connect insulated white insulated wire and secure with brass nut.)

### Installing 4-Wire Power Cord

8. Position grounding strap down and away from terminal block. Attach green or bare wire and grounding strap to back of range using green ground screw previously removed in step 3.



A— Ground screw (Connect green insulated wire and secure with screw.)

### Position Grounding Strap

9. Firmly tighten all connections to ensure proper electrical connection.
10. Place screw through strain relief, tighten, and replace rear wire cover.

## Installation (cont.)

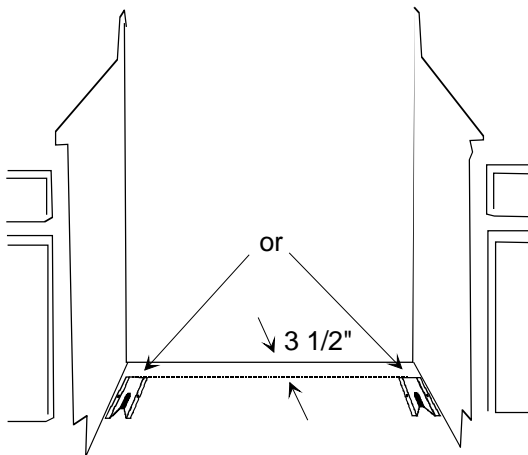
### Converting 3-Wire to 4-Wire Power Cord

1. Remove rear wire cover.
2. Remove bottom strain relief screw and retain for further use.
3. Remove screw/hex nuts from terminal block and retain for further use.
4. Remove all 3-wire or cable leads from the terminal block and proceed to remove the power cord from the range by pulling in a downward motion so the cord is removed from strain relief.
5. To install the 4-wire cord, please follow step 3 through step 9 of *Installing 4-Wire Power Cord* section.

### Anti-tip Bracket Installation

To reduce risk of range tipping, secure range with a properly installed anti-tip bracket.

1. Measure 3½ inches from back wall on right and left side of cabinet cutout. Mark measurements on floor and draw a straight line connecting marks.
2. Position anti-tip bracket.
  - If range is installed beside cabinet(s), place anti-tip bracket with back edge on line drawn on floor and side of bracket against cabinet.
  - If range is not installed beside cabinet(s), position range where it will be installed. Draw a line along side of range on floor from front to back. Remove range. Place anti-tip bracket with back edge over line drawn 3½ inches from back wall and side of bracket over line drawn along side of range on floor.
  - Anti-tip bracket can be installed on either right or left side.



Anti-tip Bracket Installation

3. Mark 2 hole locations in anti-tip bracket.
4. Drill 2 holes.
  - If drilling into wood, use a 3/32-inch drill bit.
  - If drilling into concrete, use a 3/16-inch masonry drill bit and insert plastic anchors.

5. Secure bracket to floor using screws supplied. Slide range into position.
6. Remove range storage drawer or lower panel and confirm anti-tip bracket is engaged with range leveling leg after sliding range into position.

### Place and Level Range



### CAUTION

To avoid damaging oven door, do not lift or move range by oven door handle. Glass can break.

1. Carefully level range using legs provided. Range must be level to cook and bake uniformly.
  - Place a level on top oven rack or on range top when leveling.
  - Leveling legs must extended at least ¼ inch to engage anti-tip bracket.
2. Plug in range cord.
3. Slide range into position
4. Remove range storage drawer or lower panel and confirm anti-tip bracket is engaged with range leveling leg after sliding range into position.

### Removal and Reinstallation of Range

1. Disconnect power to range.
2. Slide range forward.
3. Unplug range cord and place range aside.
4. Remove anti-tip bracket.
5. Install anti-tip bracket into new location using instructions provided with bracket or see *Anti-tip Bracket Installation* section in this manual.
6. To reinstall range, follow instructions in *Installation* section of this manual.

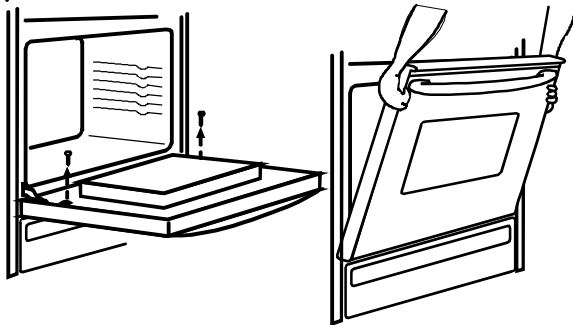
## Removing Oven Door

### CAUTION

To avoid personal injury or property damage, handle oven door with care.

- **Do not lift door by handle.**
- Door is heavy and can be damaged if dropped.
- Avoid placing hands in hinge area when door is removed. Hinge can snap closed and pinch hands.
- Do not scratch or chip glass, or twist door. Glass may break suddenly.
- Replace door glass if damaged.

1. Open door fully.
2. Remove screws.
  - Oven doors are attached with a screw on each side of lower oven door.
3. Close door to first stop, grasp door firmly on each side, and lift upward until door is off hinges.
  - Do not lift door by handle. Glass can break.
  - Only push hinges closed after oven door is removed if necessary. Use both hands when closing hinge. Hinge snaps closed.



Removing Oven Door

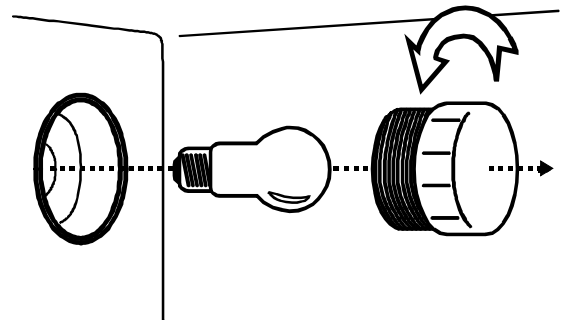
## Replacing Oven Light

### WARNING

To avoid risk of burns or electrical shock, disconnect electrical supply to oven before changing light bulb.

- Wear gloves to protect hands from accidental bulb breakage
- Before replacing light bulb make sure bulb is cool.
- Do not operate oven without bulb and cover in place.

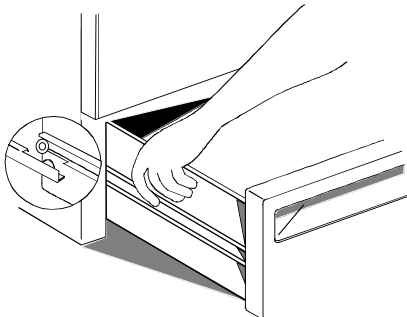
1. Disconnect electrical supply.
2. Remove oven door if desired.
3. Unscrew light bulb cover located in rear of oven cavity. Then turn light bulb counterclockwise to remove.
4. Replace light bulb with 120-volt, 40-watt appliance bulb.
  - Do not overtighten bulb or it may be difficult to remove later.
5. Replace light bulb cover and oven door before use.
6. Reconnect power supply.



Removing Oven Light Bulb

## Removing Storage Drawer (Some Models)

1. Slide drawer out until it stops.
2. Grasp drawer sides near back.
3. Lift up and out. Reverse to reinstall.



Removing Storage Drawer

# Operating Surface Elements

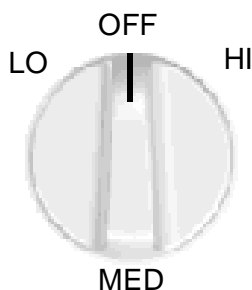
## Operating Surface Elements



### WARNING

To avoid risk of serious personal injury, property damage, or fire, do not leave surface elements unattended while in operation. Grease and spillovers can ignite causing a fire.

1. Push in and turn surface element control to desired setting.
  - Some ranges have two indicator lights, one for elements on right side and one for elements on left side of range. When either front or rear element is on, corresponding indicator light glows.
  - Some ranges have one indicator under clock. When any element is on, indicator light glows.
  - Coiltop ranges can have one indicator light. The indicator light will turn on when the surface element control knob is turned from the *OFF* position. The light will continue to glow during element use, and will shut off when the control knob is turned to the *OFF* position.
  - Element will cycle on and off to maintain desired heat setting.
2. When finished cooking, turn control to *OFF* position.



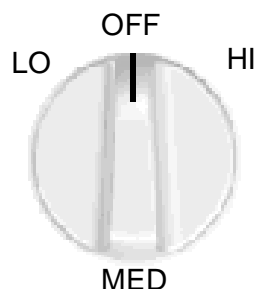
Surface Element Control Knob

## Surface Element Settings

**LO**—Use to prepare food at less than boiling temperatures or to simmer.

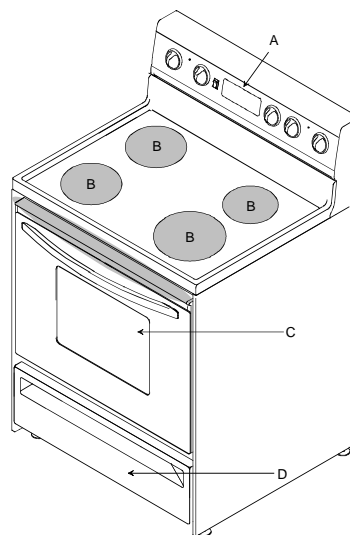
**MED**—Use to maintain boiling of larger amounts of food, low temperature frying and to maintain correct pressure in a pressure cooker.

**HI**—Use to bring food to boiling temperatures. When food is boiling temperature setting should be reduced to **LO** through **MED**.



## Hot Zones

Shaded areas can become hot while cooking, baking, broiling, or self-cleaning.



### Range Areas

A—Range Control Panel

B—Surface Elements (Coil)

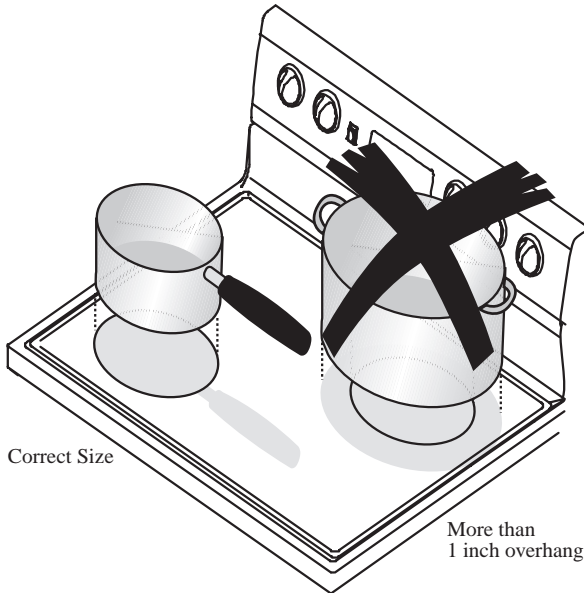
C—Oven Window

D—Storage Drawer or Panel

# Utensil Recommendations

## Cooking Utensils

- Use proper pan size. Do not use a pan that has a bottom smaller than element. Do not use utensils that overhang element by more than 1 inch.



Use Proper Pan Size

- Select utensils without broken or loose handles. Handles should not be heavy enough to tilt pan.
- Do not use a wok with a ring stand. Use flat bottom wok.



Use Flat Wok

## Canning

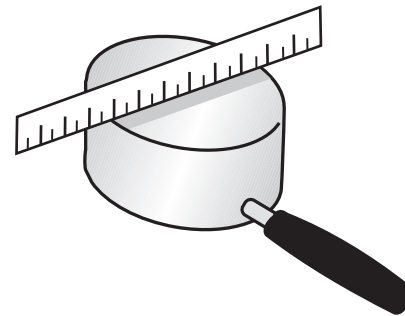
Caloric manufactures a special canning element that enables canning without causing damage to the range.

In many types of ranges, heat generated by canning cookware overheats a regular element and can cause failure of the heating element and possible damage to the backguard. This hazard can be prevented by using the canning element.

Utensil Material Characteristic		
Type	Temperature Response	Uses
Aluminum	Heats quickly	Frying, braising, roasting
Copper Clad / Tin Lined	Heats and cools quickly	Gourmet cooking, wine sauces, egg dishes
Stainless Steel	Heats and cools at moderate rate	Soups, sauces, vegetables, general
Cast Iron	Heats and cools slowly	Low heat cooking and frying
Enamelware	Varies with metal base	Low heat cooking
Ceramic (Glass)	Heats and cools slowly	Low heat cooking

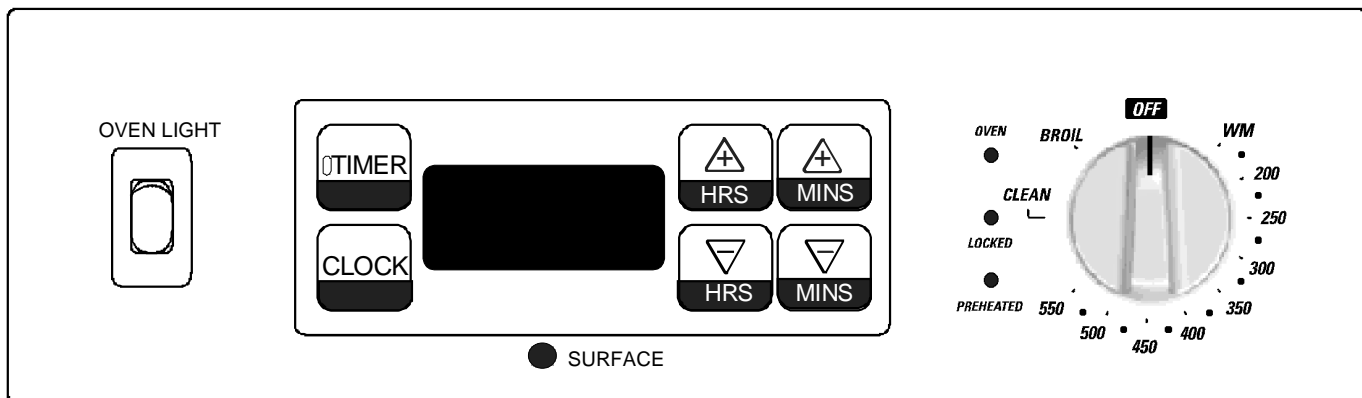
For best cooking results, use a pan with a flat bottom. Determine if pan has a flat bottom.

1. Rotate a ruler along bottom of pan. If pan is not flat, gaps between bottom of pan and edge of ruler occur.
2. A small groove or mark on a pan does not affect cooking times. However, if a pan has a gap, formed rings, or an uneven bottom, it does not cook efficiently and in some cases may not boil liquid.

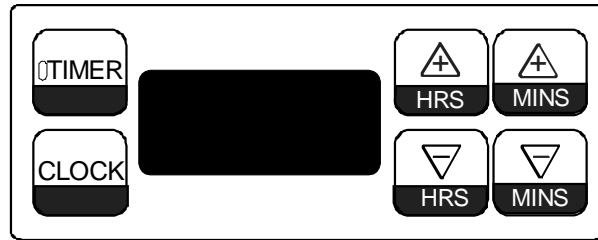


Use Flat Bottom Pans

## Display and Features



Item	Description
TIMER Pad	Selects timer feature. Timer can be set up to 11 hours, 59 minutes. Timer does not control oven operation.  <i>TIMER</i> pad has light that flashes when timer is being set and glows when timer is counting down. Timer light allows user to identify timer mode quickly and easily.
CLOCK Pad	Pad is pressed to set clock and turn clock display on and off.
HRS Pad	Pads increase or decrease time by hours.
MIN Pad	Pads increase or decrease time by minutes.
Temperature knob	Controls oven temperature, self-clean, and broil. Push-to-turn knob prevents accidentally turning oven on.
OVEN light	Glows when oven is on. Light flashes after self-clean cycle turns off as a reminder to turn temperature knob to <i>OFF</i> .
LOCKED light	Glows when oven door is locked and oven is set for self-cleaning. After self-clean cycle, light flashes. Unlatch oven door and turn temperature knob to <i>OFF</i> .
PREHEATED light	Glows when oven reaches selected temperature.
Time display	Shows the time-of-day and timer minutes. Will not display AM, PM, or military time.
<b>Other Features</b>	
12-hour automatic cancel	This safety feature prevents oven from continuing to heat if it has been left on for over 12 hours. This feature can be turned on or off while the temperature knob is in <i>OFF</i> position.  To operate oven for more than 12 hours press and hold the MINS + and – pads for approximately 4 seconds. Display will change from time-of-day to show 'OFF' and then return to time display.  To set oven to shut off after 12 hours press and hold the MINS + and – pads for approximately 4 seconds. Display will change from time-of-day to show 'ON' and then return to time display.
Service codes and tones	Range control is equipped with a self-diagnostic system. This alerts you if there is an error or problem in the control. If electronic range control sounds a series of short, rapid beeps for over 16 seconds and display shows an F-code, disconnect electrical supply to range and contact an authorized servicer.  F2—High oven temperature F3—Temperature sensor F4—Temperature sensor FFF—Control failure



## Adjusting Factory Set Baking Temperature

Your new range oven is calibrated at the factory for temperature. Due to individual variances and preferences, it may be necessary to adjust individual ovens once they have been installed.

When first using oven, follow recipe times and temperatures. Before adjusting oven baking temperature, test a recipe by using a temperature set higher or lower than the recommended temperature. The baking results should help you to decide how much adjustment is needed.

Prior to adjusting baking temperature, check for blocked heat vents. Remove aluminum foil from oven—it will alter oven temperature. If it still appears oven is not performing as expected, a calibration may be done. An accurate digital thermometer is necessary to calibrate the oven. Store purchased oven thermometers do not measure oven temperature accurately.

1. Turn oven temperature knob to *OFF*.
2. Press and hold *HRS +* and *HRS -* pad for approximately 5 seconds. A double digit number will display.
3. Immediately, press either *HRS +* or *HRS -* pad.
  - *HRS +* increases oven temperature by 5°F.
  - *HRS -* decreases oven temperature by 5°F.
  - Oven temperature can be changed up to 35°F. When temperature is adjusted cooler “-” shows in display followed by offset temperature.
  - For each calibration, oven temperature should only be adjusted by 5 degrees. This will prevent drastic changes in baking results.
  - After a few seconds control saves new setting and returns to previous display.
  - Control will retain offset through a power failure.
  - If oven is still not generating desired baking results, another oven calibration may be performed.

## Setting Electronic Clock

When power is connected or restored, display flashes until pad is pressed or temperature knob is turned. Clock is a twelve hour clock that does not display AM, PM, or military time. To set clock to proper time of day:

1. Verify display is flashing.
  - If display does not flash, press *CLOCK* pad repeatedly until display flashes.
2. Press *HRS +* or *-* pad to set hours and *MINS +* or *-* pad to set minutes.
3. Press *CLOCK* pad to save time-of-day.
  - Clock saves time-of-day approximately 60 seconds after time is entered if *CLOCK* pad is not pressed.

## Turning Off/On Clock Display

Press *CLOCK* pad until display is blank. Clock retains time while not displayed. To turn on display, press *CLOCK* pad until time-of-day displays and is not flashing.

## Setting Electronic Timer

The minute timer is a timer only. Electronic timer does not control bake, broil, or self-clean function. Timer can be set up to 11 hours and 59 minutes.

1. Press *TIMER* pad.
2. Press *HRS +* or *-* pad to set hours and *MINS +* or *-* pad to set minutes.
  - Timer begins counting down automatically after time is entered.
  - To view clock while timer counts down, press *CLOCK* pad. To view timer again, press *TIMER* pad.
3. Press *TIMER* pad again to cancel.

## Resetting and Canceling Timer

To reset or cancel timer, display must show remaining time. If display does not show remaining time, press *TIMER* pad.

To reset the time when remaining time is displayed, press the *HRS +* or *-* pad to set hours and *MINS +* or *-* pad to set minutes until new time displays.

To cancel remaining time or signal after time elapses, press *TIMER* pad. Signal sounds until canceled.

# Baking and Broiling

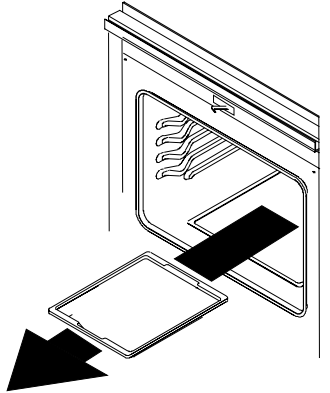


## CAUTION

To reduce risk of food poisoning due to bacterial growth and production of toxins, never hold meat, milk, fish or eggs for more than 2 hours before cooking.

### Remove Items Stored in Oven

Remove any pans and other cooking utensils stored in oven.



Remove Items Stored in Oven



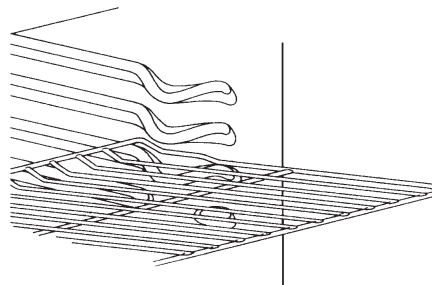
## WARNING

To avoid damaging oven liner or creating fire, do not line oven bottom or oven racks with foil or aluminum liners.

### Oven Rack Placement

Position oven rack before turning oven on.

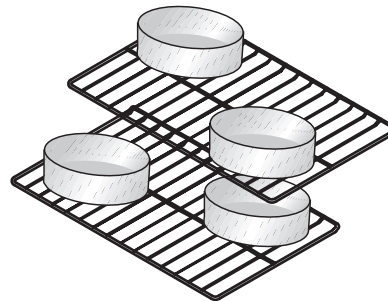
1. Pull rack forward to stop position.
2. Raise front edge of rack and pull until rack is out of oven.
3. Place rack in new rack position.
  - Curved edge of rack must be toward rear of oven.



Oven Rack Placement

### Pan Placement

- Keep pans and baking sheets 2 inches from oven walls.
- Stagger pans placed on different racks so one is not directly over the other.

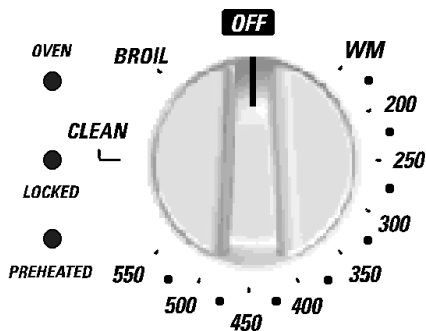


Pan Placement

## Baking

Preheat approximately 15-20 minutes before placing delicate foods such as light cakes and muffins inside oven.

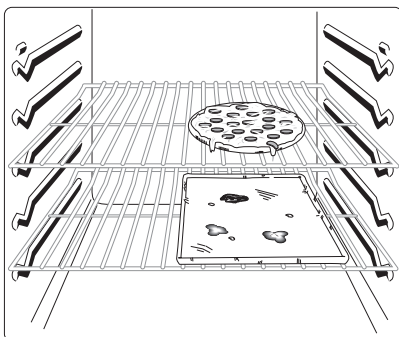
1. Open oven door to confirm nothing is stored in oven cavity and set racks to proper height.
2. To preheat oven, turn oven temperature knob to desired temperature.
  - Oven indicator light glows if knob is set to any position but *OFF*.
  - When oven reaches desired temperature, *PREHEATED* light glows and oven beeps 6 times. The *PREHEAT* light will remain on during the baking cycle.
3. Place food in oven.
  - If self-clean lever is moved to lock position while baking, *LOCKED* light flashes and oven does not heat. Move lever to unlocked position to resume baking.
4. After cooking time elapses, remove food and turn oven temperature knob to *OFF*.



Temperature Knob

## Aluminum Foil

When placed on the oven bottom or racks, aluminum foil not only creates a hazard, but also affects cooking performance. To minimize spills in the oven, place a shallow pan or cookie sheet underneath food items that may drip or spill. The pan or cookie sheet must not touch the oven walls, door, or back.



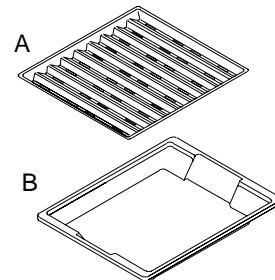
## WARNING

To avoid risk of fire, do not line the broiler grid with foil.

- Foil may trap grease on top of grid close to burner causing a fire.
- Never leave oven unattended while broiling. Overcooking may result in a fire.

## Broiling Tips

- Remove excess fat from meat before broiling. Cut edges of meat to prevent curling.
  - Place food on a cold ungreased broiling pan. If pan is hot, food sticks.
  - All food except fish should be turned at least one time. Begin broiling with skin side down.
  - Season meat after it has browned.
  - Broiling does not require preheating.
  - Begin cooking using suggested rack levels in *Broiling Guide* section to test broiler results. If food is not brown enough, cook on a higher rack position. If food is too brown, cook on a lower rack position.
1. Center food on broiling grid and pan, and place in oven.
    - Open oven door to first stop when broiling.



A—Broiler Grid  
B—Broiler Pan

Broiler Pan and Grid

2. Turn oven temperature knob to *BROIL*.
  - Oven indicator light glows.
  - If self-clean lever is moved to lock position while broiling and oven door is closed, *LOCKED* light flashes and oven does not heat. Move lever to unlocked position to resume broiling.
3. After broiling, remove food and turn oven temperature knob to *OFF*.

# Self-Clean Cycle



## WARNING

To avoid risk of personal injury, do not touch oven vents or areas around vents during self-cleaning. These areas can become hot enough to cause burns.

To avoid risk of smoke damage or fire, clean excess spills from oven interior.



## CAUTION

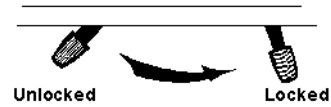
To avoid fire or smoke damage, remove any flammable materials from storage drawer. Items like plastic containers and paper manuals can melt or burn.

### Prepare for Self-clean

- A small amount of smoke is normal when cleaning. Excess smoke may indicate a faulty gasket or too much food residue has been left in oven. Move birds and small animals susceptible to fumes or smoke to another room.
- Oven should be cleaned before it gets too dirty. Wipe up large spills before self-cleaning.
- Do not use cleaning cycle if oven light cover is not properly in place.
- Remove oven racks and all cooking utensils from oven.
- Remove items from range top and backguard. These areas can become hot during self-cleaning cycle.

### Self-cleaning

1. Prepare oven for self-cleaning.
  - Remove oven racks and all cooking utensils from oven.
  - Clean excess spills from oven interior.
  - Remove items from rangetop and backguard. These areas can become hot during self-cleaning cycle.
2. With oven door closed, move oven door lever located above oven door to right to lock oven door.
  - If oven is too hot before starting self-clean cycle, oven lever will not move to locked position. Allow oven to cool before starting cycle.



Lock Oven Door

3. Turn oven temperature knob to *CLEAN* position.
  - If oven temperature knob is set before oven door lever is moved, *LOCKED* light flashes. Move oven door lever to locked position.
  - *LOCKED* and *OVEN* indicator light glows.
  - Self-clean cycle lasts for approximately 4 hours— 3 ½ hour heat cycle for the self clean and ½ hour cool down. After self-clean cycle, *OVEN* and *LOCKED* lights flash. Turn temperature knob to *OFF* position and move oven door lever to unlocked position.
  - Do not force door lever open. If door lever is forced, lock can be damaged.

### Interrupt Self-Clean Cycle

1. Turn oven temperature knob to *OFF* position.
2. When oven has cooled to a safe temperature, *LOCKED* light flashes. Door can be unlocked and opened.
  - Do not force door lever open. If door lever is forced, lock can be damaged.

### After Self-cleaning Cycle

Turn oven temperature knob to *OFF* position when finished. After oven has cooled *LOCKED* light flashes. Door can be unlocked and opened. Ash and other residue can be wiped up with a damp cloth or sponge.

## Baking Guidelines

Follow these recommendations only as a guide for times and temperatures. Times, rack position, and temperatures may vary depending on conditions and food type. For best results, always check food at minimum time.

Food	Oven Temperature (°Fahrenheit)	Cooking Time (Minutes)
Angel Food Cake	350	28–50
Biscuits	350–375	8–16
Muffins	375–400	17–23
Cookies	325–350	7–18
Cupcakes	325–375	15–20
Brownies	325–350	25–35
Layer Cakes	325–350	20–30
Pound Cake	325	40–60
Fresh Pies	375–425	35–50
Nut Bread	350	45–55

## Poultry Roasting Guidelines

Follow these recommendations only as a guide for times and temperatures. Times, rack position, and temperatures may vary depending on conditions and food type. For best results, always check food at minimum time.

Food	Oven temperature (°Fahrenheit)	Cooking time (Hours)
Whole Chicken (4 lbs to 5 lbs)	375	1½–1¾
Whole Chicken (Over 5 lbs)	375	1¾–2
Turkey (6 lbs to 8 lbs)	325	3½–4
Turkey (8 lbs to 12 lbs)	325	4–4½
Turkey (12 lbs to 16 lbs)	325	5½
Turkey (16 lbs to 20 lbs)	325	5½–7
Turkey (20 lbs to 22 lbs)	325	7–8½
Duck (3 lbs to 5 lbs)	325	1½–2

## Cooking Guide (cont.)

---

### Beef and Pork Roasting Guidelines

Follow these recommendations only as a guide for times and temperatures. Times, rack position, and temperatures may vary depending on conditions and food type. For best results, always check food at minimum time.

Food	Oven Temperature (°Fahrenheit)	Cooking time (Minutes per pound)
Beef Roast (Rare)	325	20–25
Beef Roast (Medium)	325	26–30
Beef Roast (Well)	325	33–35
Rolled Roast (Rare)	325	32–36
Rolled Roast (Medium)	325	36–40
Rolled Roast (Well)	325	43–45
Fresh Whole Ham	325	22–28
Pork Loin	325	35–40
Pork Shoulder, Butt	325	40–45
Pork Picnic Shoulder	325	35–40
Mild Cured Ham Picnic, Shoulder	350	30–35

### Broiling Guidelines

Follow these recommendations only as a guide for times and temperatures. Times, rack position, and temperatures may vary depending on conditions and food type. For best results, always check food at minimum time.

Food	Thickness (Doneness)	Rack position (1=Highest 5=Lowest)	Cooking time (Minutes)
Beef Steak	1" (med.)	3	14–16
Beef Steak	1" (well)	3	23
Beef Steak	1½" (med.)	3	23–28
Beef Steak	1½" (well)	3	33
Beef ground	(¾"–1")	4	12–17
Fish Fillets and Steaks		4	15–20
Pork Chops or Steak	1"	3	15–16
Pork Chops or Steak	1½"	3	23–28
Bacon		4	12–17
Ham Slice (pre-cooked)	½"	3	20–25
Ham Slice (pre-cooked)	1"	3	25–30

Part	Materials to Use	General Directions
Bake and broil, element		Do not clean bake element or broil element. Any soil will burn off when element is heated. Bake element is hinged and can be lifted to clean oven bottom.
Broiler pan and grid	Soap and a nonabrasive plastic scouring pad	Drain fat, cool pan and grid slightly. (Do not let soiled pan and grid stand in oven to cool.) Sprinkle with soap. Fill the pan with warm water. Let pan and grid stand for a few minutes. Wash or scour if necessary. Rinse and dry. The broiler pan and grid may also be cleaned in the dishwasher.
Burner bowls	Soap and water	The burner bowls can be removed for ease in cleaning. For extra dried on soil, soak the bowls in warm soapy water.
Control knobs	Mild soap and water	Pull off knobs. Wash gently but do not soak. Dry and return controls to oven, making sure to match flat area on the knob to the flat area on shaft.
Coiltop	Soap and water	Coil elements do not need to be cleaned. Any food spilled on element will burn off. <b>NEVER immerse elements in water.</b>
Inside oven door	Soap and water	Clean the outside of the door and the window area with warm soapy water. Do not clean the oven door gasket. Gasket should not be moved while cleaning. Avoid getting any cleaning materials on gasket.
Outside finish and backguard	Soap and water	Wash all glass with cloth dampened in soapy water. Rinse and polish with a dry cloth. If knobs are removed, do not allow water to run down inside surface while cleaning.
Oven interior surfaces	Soap and water	Cool before cleaning. Frequent wiping with mild soap and water prolongs time between self-cleanings. Be sure to rinse thoroughly.
Oven racks and storage drawer	Soap and water	For heavy soil, clean by hand and rinse thoroughly. Remove the drawer and racks for ease in cleaning. Be sure drawer is dry before replacing.

## Before Calling for Service

Problem	Check
Oven light does work.	Check for loose bulb. Check for burned out bulb; replace with 40-watt appliance bulb.
Oven does not heat.	Confirm range is plugged in. If both oven and surface elements do not heat, check circuit breaker. Check control for proper setting.
Oven door will not open	Wait for oven to cool. Door latch will release automatically after oven cools. Do not force lock lever.
Oven temperature is not accurate.	Store purchased oven thermometers do not measure oven temperature accurately. An accurate digital thermometer is necessary to calibrate oven. Check for blocked heat vents. Aluminum foil alters oven temperature. Change oven temperature through oven control.
Oven element cycles on and off.	This condition is normal when baking or roasting. To maintain a temperature for baking, oven cycles on and off. The temperature may vary up to 25°F higher or lower than the oven temperature set on the control.
The oven smokes the first few times it is turned on.	Minor smoking is normal first few times oven is used.
Odor or smoke while self-cleaning the oven.	There may be some smoke and odor during the first few cleaning cycles. If there is excessive smoke or odor, too much soil remains in the bottom of the oven. If the oven smokes excessively, turn off the oven, wait for oven to cool and wipe away excess soil. Reset the clean cycle.
Range top is warm during use .	Normal condition.
Food cooks slowly or will not maintain constant boil.	Improper cookware causes poor cooking results. Pan bottoms must be flat. Pans should be made of heavy material and be same diameter as surface element. See “Cooking Utensils” section.
Locked light flashes.	Thermostat knob is set to clean before oven door latch is moved to locked position. Lock lever is moved to the right while baking. Move lever to left and resume baking.
<i>OVEN</i> and <i>LOCKED</i> light flash.	Self-cleaning is finished. Turn thermostat knob to <i>OFF</i> .

---

## COOKING PRODUCTS WARRANTY

(excluding wall ovens)

**FULL ONE YEAR WARRANTY  
LIMITED SECOND YEAR WARRANTY ON ALL PARTS  
LIMITED THIRD THRU FIFTH YEAR WARRANTY ON GLASS/CERAMIC TOP,  
ELECTRIC SURFACE ELEMENTS, OR GAS SURFACE BURNERS.**

### FIRST YEAR

Caloric Sales Co. L.P. will repair or replace, including related labor and travel, any part (FOB Amana Iowa) which proves to be defective as to workmanship or materials.

### SECOND YEAR

Caloric Sales Co. L.P. will provide replacement part, part only (FOB Amana Iowa), which proves defective as to workmanship or materials.

### THIRD THROUGH FIFTH YEAR

Caloric Sales Co. L.P. will provide replacement glass/ceramic cooktop, electric surface elements or gas surface burners, part only (FOB Amana Iowa) which prove defective as to workmanship or materials.

### OWNER'S RESPONSIBILITIES:

- Provide any defective part to an authorized Caloric Sales Co. L.P. servicer.
- Provide proof of purchase.
- Provide normal care and maintenance, including cleaning as instructed in owner's manual.
- Replace owner replaceable items where directions appear in the owner's manual.
- Make product accessible for service.
- Pay for premium service costs for service outside servicer's normal business hours.
- Pay for service calls related to product installation and customer education.

### ITEMS NOT COVERED:

- Normal product maintenance and cleaning.
- Light bulbs.
- Damages which occur in shipment.
- General rebuilding or refurbishing that is not a legitimate warranty repair.
- Failures caused by:
  - Unauthorized service.
  - Grease or other material buildup due to improper cleaning or maintenance.
  - Accidental or intentional damage.
  - Connection to an improper gas or power supply.
  - Accident, misuse, abuse, fire, flood, or acts of nature.
  - Use of improper pans, containers, or accessories that cause damage to the product.

### WARRANTY LIMITATIONS:

- Begins at date of original purchase.
- Product used on a commercial, rental, or leased basis are not covered by this warranty.
- Applies to product used within the United States or in Canada if product has appropriate agency listing when shipped from the factory.
- Service must be performed by an authorized Caloric Sales Co. L.P. servicer.

### WARRANTY IS VOID IF:

- Serial plate is defaced.
- Product is altered by user.
- Product is not installed or used according to manufacturer's instructions.

### IN NO EVENT SHALL CALORIC SALES CO. L.P. BE LIABLE FOR INCIDENTAL OR CONSEQUENTIAL DAMAGES\*

\*This warranty gives you specific legal rights and you may have others which vary from state to state. For example, some states do not allow the exclusion or limitation of incidental or consequential damages so this exclusion may not apply to you.

For answers to questions regarding the above or to locate an authorized Caloric Sales Co. L.P. servicer, contact:

Caloric Sales Co. L.P.  
2800 220th Trail  
PO Box 8901  
Amana, Iowa 52204-0001  
USA  
1-800-843-0304 inside U.S.A.  
1-319-622-5511 outside U.S.A.